

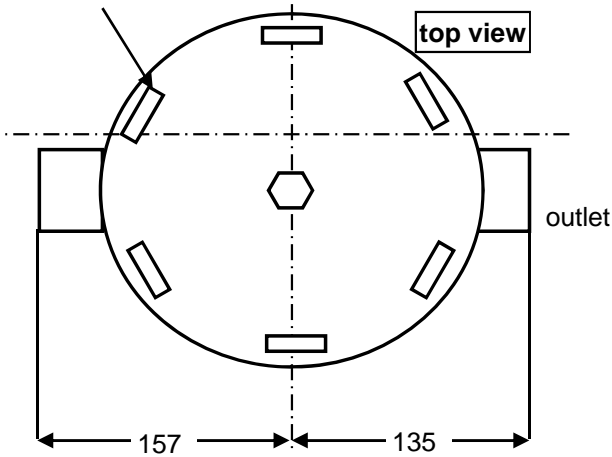
# Bag Filters - Carbon Steel

all dimensions in mm

MODEL	maximum pressure	inlet	outlet	A	B	C	bag diameter	bag length
Model FP- 0820-P10	10 bars	2"F	2"F	840	745	500	150	600
Model FP-1320-P10	10 bars	2"F	2"F	1340	1245	1000	150	1100



lid closing by 6 eyelet bolts, stainless steel 304L



Filter housing available in carbon steel or other materials

Bag filtration fineness : 5,10,25,50 and 100 micron

Bag material : Polypropylene

Options : - manometers 1/4"

- dirt level indicator

- pressure differential gauge

Given data may be revised without notice.

